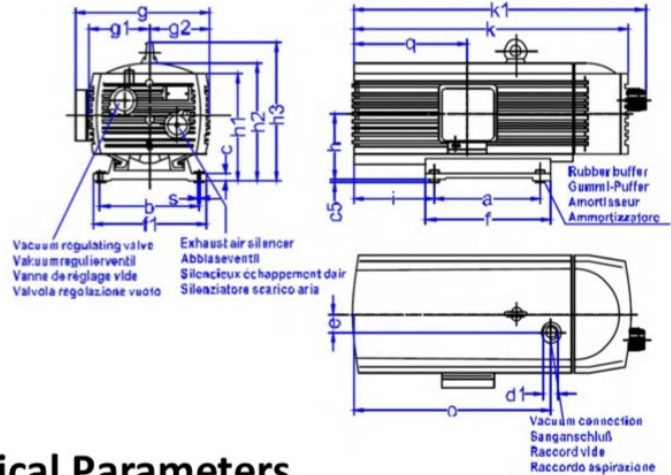


Dry Rotary Vane Vacuum Pump

VT 16 VT 25 VT 40



Technical Parameters

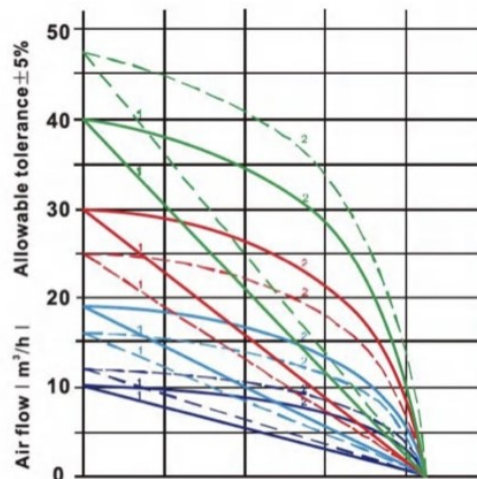
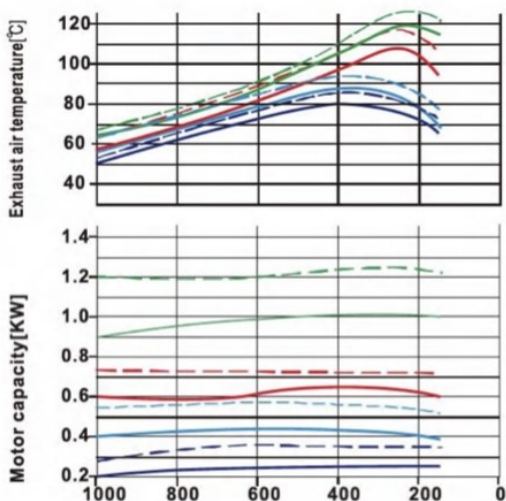
Model	Air Flow		Motor Power(KW)		Motor Power(V)				Motor Speed(rpm)		Sound level dB(A)		vacuum (mbar)	Weight (Kg)
	m3/h		3 phase		3 phase		1 phase		3 phase		50Hz 60Hz			
	50Hz	60Hz	50Hz	60Hz	50Hz	60Hz	50Hz	60Hz	50Hz	60Hz	50Hz	60Hz		
VT 10	10	12	0.37	0.44	175~260V 330~450V	202~300V 350~520V	230V±10%	230V±10%	1420	1700	60	62	150	15
VT 16	16	19.2	0.55	0.66	175~260V 330~450V	202~300V 350~520V	230V±10%	230V±10%	1420	1700	61	64	150	22
VT 25	25	30	0.75	0.9	190~255V 330~450V	190~290V 330~500V	230V±10%	230V±10%	1420	1700	62	67	150	28.0
VT 40	40	48	1.25	1.5	190~255V 330~450V	190~290V 330~500V	230V±10%	230V±10%	1420	1700	67	72	150	39

Mounting Dimensions

measure: mm

Type	a	b	c	c5	d	e	f	f1	g	g1	g2	h	h1	h2	h3	i	k	k1	o	q
VT 10	205	128	15	3	G1/2	35	244	156	202	89	89	107	176	189	192	60	387	426	257	118
VT 16	205	128	15	3	G1/2	35	244	156	225	102	102	113	186	182	208	70	415	454	289	151
VT 25	220	198	15	3	G3/4	40	260	240	252	125	125	140	226	227	292	101	465	502	300	170
VT 40	220	198	15	3	G3/4	40	260	240	270	125	125	140	226	227	292	136	531	570	362	195

Performance Data



1 refers to atmospheric pressure
2 refers to intake pressure

Reference: 1000mbar
Atmosphere: 20°C

Vacuum[mbar]

— VT10
— VT16
— VT25
— VT40

--- 50Hz
— 60Hz